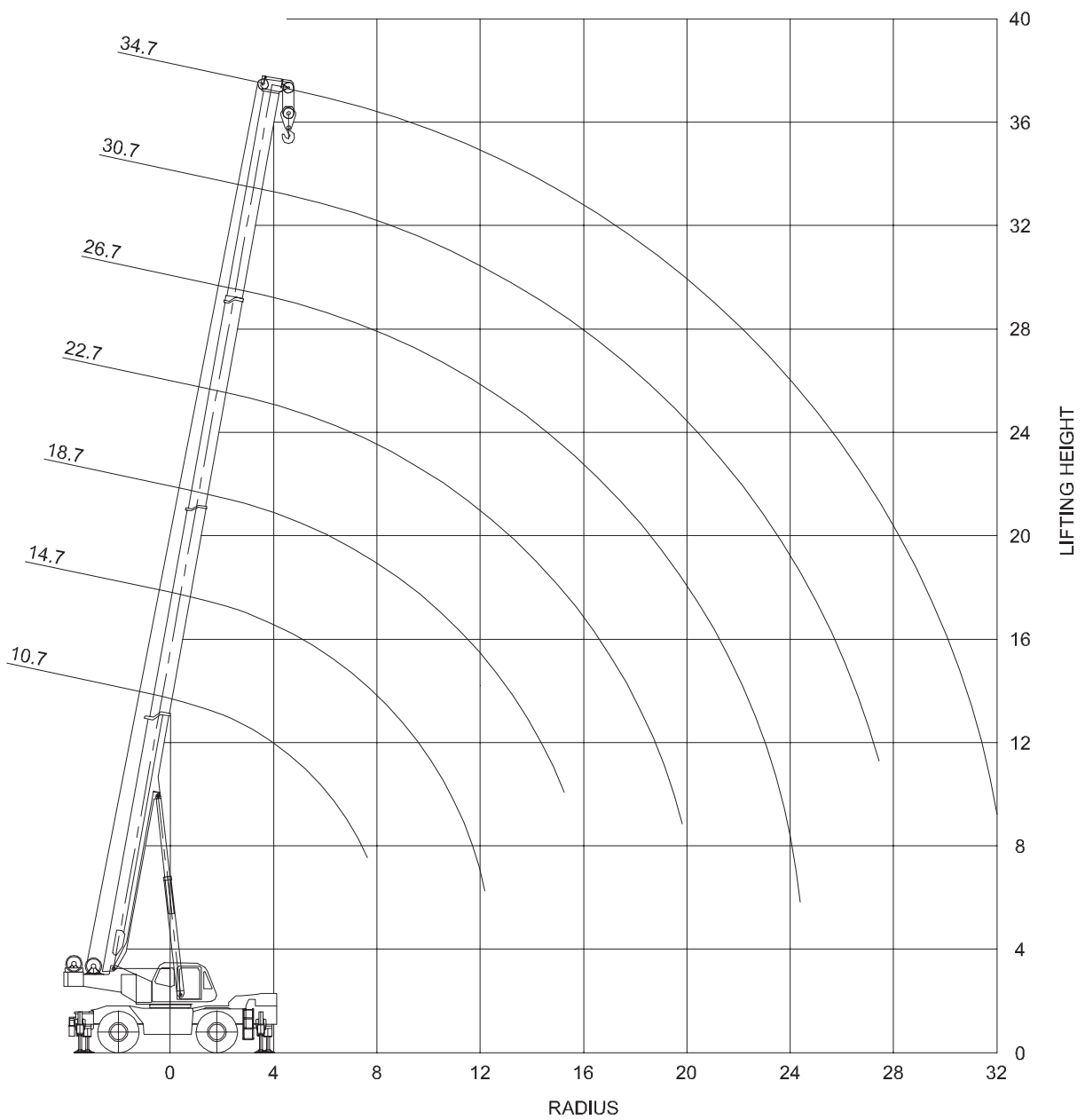


Dimensions are in millimeters.  
The content in this document is mentioned for reference use only. Values may differ from current data. Always contact Mammoet for current project calculations.



Dimensions are in meters.  
 The content in this document is mentioned for reference use only. Values may differ from current data. Always contact Mammoet for current project calculations.

**Main boom**

- Outrigger base: 7×7 m
- Ballast: 5 t

Boom length (m)	Radius (m)																									
	2.4	2.5	3	3.5	4	4.5	5	6	7	8	9	10	11	12	14	16	18	20	22	24	26	28	30	32	32	
10.7	49.9	49.5	46	41.4	37.4	33.8	30.9	25.2	20.4																	
14.7				21.2	21.2	21.2	21.2	21.2	20.2	18.5	15.7	13.2	11.1	9.6												
18.7				21.2	21.2	21.2	21.2	21.2	20.2	18.6	16.2	13.7	11.5	9.9	7.5											
22.7				20.1	20.1	20.1	19.8	19.2	18.4	17.5	16.3	13.9	11.7	10.1	7.6	6	4.8									
26.7					18.5	18.3	17.7	16.4	15.1	14	13.1	12.2	11.1	9.9	7.7	6.1	4.8	3.9	3.2	2.7						
30.7							14.7	13.9	13	12.1	11.4	10.8	10.2	9.4	7.6	6	4.8	3.9	3.2	2.7	2.2					
34.7									11.1	10.6	9.9	9.4	8.9	8.7	7.5	6.1	4.9	3.9	3.3	2.7	2.3	1.9	1.5	1.1	1.1	

**Main boom**

- Outrigger base: 7×6.5 m
- Ballast: 5 t

Boom length (m)	Radius (m)																									
	2.4	2.5	3	3.5	4	4.5	5	6	7	8	9	10	11	12	14	16	18	20	22	24	26	28	30	32	32	
10.7	49.9	49.5	46	41.4	37.4	33.8	30.9	25.2	20.4																	
14.7				21.2	21.2	21.2	21.2	21.2	19.5	17	13.4	11	9.1	7.7												
18.7				21.2	21.2	21.2	21.2	21.2	19.7	17.3	13.7	11.3	9.3	8	6											
22.7				20.1	20.1	20.1	19.8	19.2	18.4	16.8	13.8	11.5	9.5	8.1	6.1	4.8	3.8									
26.7					18.5	18.3	17.7	16.4	15.1	14	13.1	11.4	9.7	8.2	6.2	4.9	3.8	3.1	2.5	1.9						
30.7							14.7	13.9	13	12.1	11.4	10.7	9.7	8.3	6.3	4.9	3.9	3.1	2.5	2	1.7					
34.7									11.1	10.6	9.9	9.4	8.8	8.2	6.2	4.9	3.9	3.1	2.5	2.1	1.7	1.3	1.1	0.7	0.7	

**Main boom**

- Outrigger base: 7×5 m
- Ballast: 5 t

Boom length (m)	Radius (m)																									
	2.4	2.5	3	3.5	4	4.5	5	6	7	8	9	10	11	12	14	16	18	20	22	24	26	28	30	32	32	
10.7	49.9	49.5	46	41.4	37.2	33.4	28.5	18.4	13.7																	
14.7				21.2	21.2	21.2	20.2	17.9	14.2	11	8.8	7.2	5.9	4.9												
18.7				21.2	21.2	21.2	20.4	18.6	14.7	11.2	8.9	7.4	6.2	5.3	3.8											
22.7				20.1	20.1	20.1	19.7	18.9	15	11.5	9.2	7.6	6.4	5.5	4.1	3.1	2.3									
26.7					18.5	18.3	17.7	16.4	14	11.6	9.3	7.8	6.5	5.6	4.2	3.1	2.4	1.8	1.4	1						
30.7							14.7	13.9	12.9	11.5	9.3	7.8	6.5	5.6	4.2	3.1	2.4	1.8	1.4	1	0.7					
34.7									11.1	10.4	9.1	7.7	6.5	5.6	4.2	3.2	2.4	1.8	1.4	1.1	0.8					

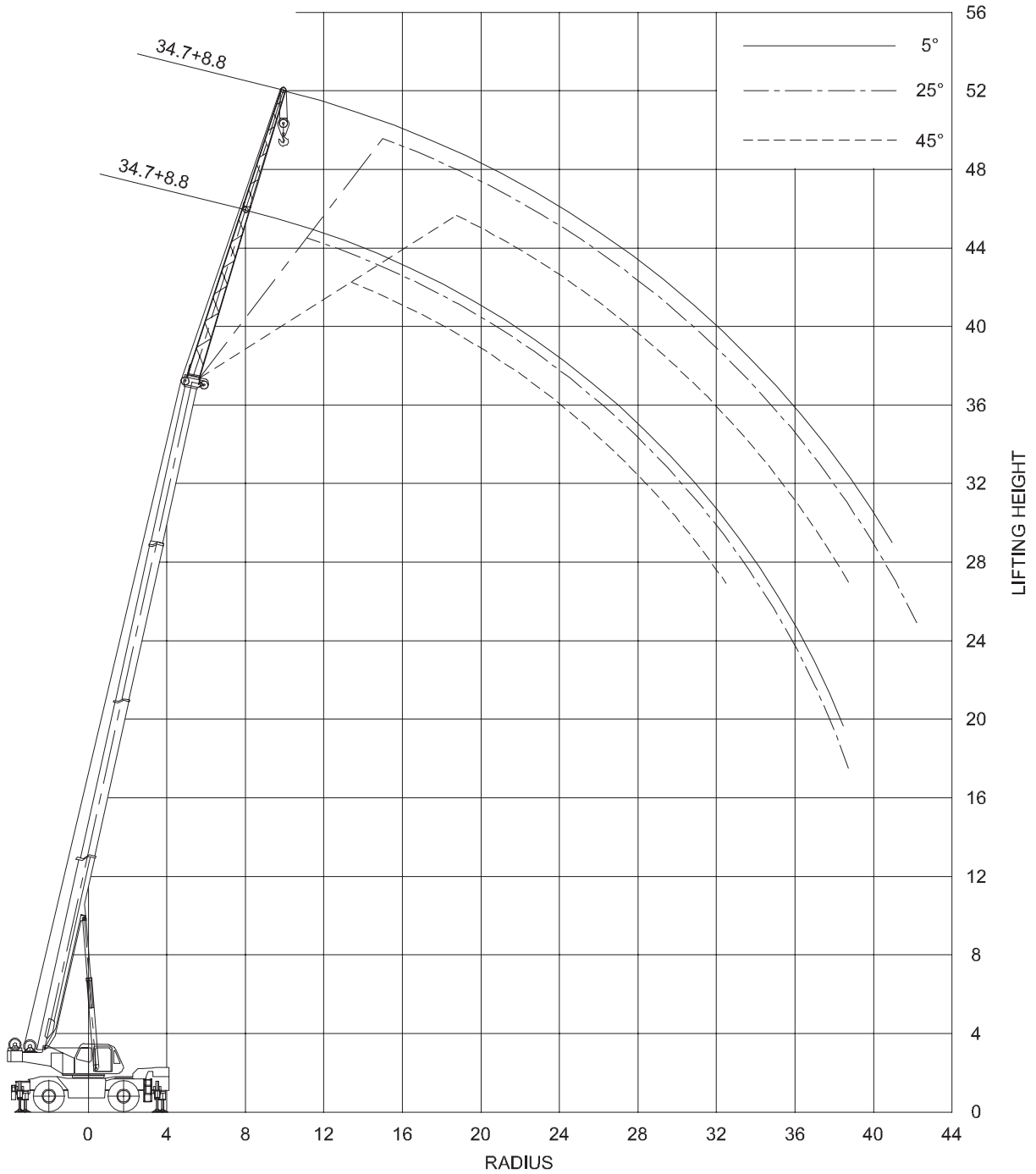
**Main boom**

- Outrigger base: 7×2.28 m
- Ballast: 5 t

Boom length (m)	Radius (m)																									
	2.4	2.5	3	3.5	4	4.5	5	6	7	8	9	10	11	12	14	16	18	20	22	24	26	28	30	32	32	
10.7	34.4	33.1	23	17.2	13.5	10.7	9	6.2	4.6																	
14.7				17.6	14.3	11.4	9.7	6.8	5.1	3.8	2.9	2.2	1.6	1.2												
18.7				17.5	14.3	11.6	10	7	5.4	4	3.1	2.4	1.8	1.4												
22.7				16.9	14.1	11.6	10	7.3	5.6	4.3	3.3	2.6	2	1.6	0.9											
26.7					13.6	11.2	9.7	7.1	5.6	4.4	3.4	2.7	2.1	1.7	1											
30.7							9.7	6.9	5.4	4.2	3.3	2.7	2.1	1.7	1											
34.7								9.3	6.6	5.1	4	3.2	2.5	2	1.6	0.9										

t = metric tons.

The content in this document is mentioned for reference use only. Values may differ from current data. Always contact Mammoet for current project calculations.



Dimensions are in meters.  
The content in this document is mentioned for reference use only. Values may differ from current data. Always contact Mammoet for current project calculations.

**Main boom with fixed jib**

- Outrigger base: 7×7 m
- Ballast: 5 t

Boom length (m)	Jib length (m)	Jib offset (°)	Radius (m)																					
			7.8	8	9	10	11	12	14	16	18	20	22	24	26	28	30	32	34	36	38	40	42	42.2
34.7	8.8	5	5.6	5.6	5.5	5.4	5.3	5.2	4.8	4.4	4.1	3.8	3.5	3	2.5	2.1	1.7	1.4	1.2	0.9	0.8			
		25					3.8	3.7	3.5	3.4	3.2	3.1	3	2.8	2.6	2.2	1.8	1.5	1.2	1	0.8			
		45							2.7	2.6	2.5	2.4	2.4	2.3	2.3	2.3	1.9	1.5						
15.2	5	5				2.9	2.9	2.8	2.8	2.6	2.5	2.3	2.2	2	1.9	1.8	1.7	1.6	1.4	1.1	0.9	0.7		
		25								1.8	1.7	1.6	1.6	1.5	1.4	1.4	1.3	1.3	1.2	1.2	1	0.8	0.6	0.6
		45										1.2	1.2	1.2	1.2	1.1	1.1	1.1	1.1	1	1	1		

**Main boom with fixed jib**

- Outrigger base: 7×6.5 m
- Ballast: 5 t

Boom length (m)	Jib length (m)	Jib offset (°)	Radius (m)																					
			7.8	8	9	10	11	12	14	16	18	20	22	24	26	28	30	32	34	36	38	40	42	42.2
34.7	8.8	5	5.6	5.6	5.5	5.4	5.3	5.2	4.8	4.4	3.9	3.4	2.8	2.3	1.9	1.5	1.2	0.9	0.6					
		25					3.8	3.7	3.5	3.4	3.2	3.1	2.9	2.4	2	1.6	1.2	1	0.7					
		45							2.7	2.6	2.5	2.5	2.4	2.2	2	1.7	1.4	1						
15.2	5	5				2.9	2.9	2.8	2.8	2.6	2.5	2.3	2.2	2	1.9	1.7	1.4	1.1	0.8					
		25								1.8	1.7	1.6	1.6	1.5	1.4	1.4	1.3	1.2	1	0.8	0.6			
		45										1.2	1.2	1.2	1.2	1.1	1.1	1.1	1.1	1	0.9	0.6		

**Main boom with fixed jib**

- Outrigger base: 7×5 m
- Ballast: 5 t

Boom length (m)	Jib length (m)	Jib offset (°)	Radius (m)																					
			7.8	8	9	10	11	12	14	16	18	20	22	24	26	28	30	32	34	36	38	40	42	42.2
34.7	8.8	5	5.6	5.6	5.5	5.4	5.3	5.2	4.4	3.5	2.7	2.1	1.6	1.2	0.8									
		25					3.8	3.7	3.5	3.2	2.8	2.4	1.9	1.4	1.1	0.7								
		45							2.7	2.6	2.5	2.4	2	1.6	1.2	0.9	0.5							
15.2	5	5				2.9	2.9	2.8	2.8	2.6	2.5	2.2	1.9	1.6	1.5	0.8								
		25								1.8	1.7	1.6	1.6	1.4	1.3	1.1	0.8	0.6						
		45										1.2	1.2	1.2	1.2	1.1	1.1	1	0.8	0.5				

t = metric tons.

The content in this document is mentioned for reference use only. Values may differ from current data. Always contact Mammoet for current project calculations.